

Swing Away / Removable ELR's



Heavy Duty ELR's



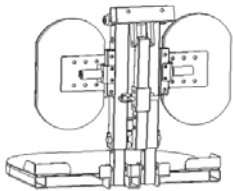
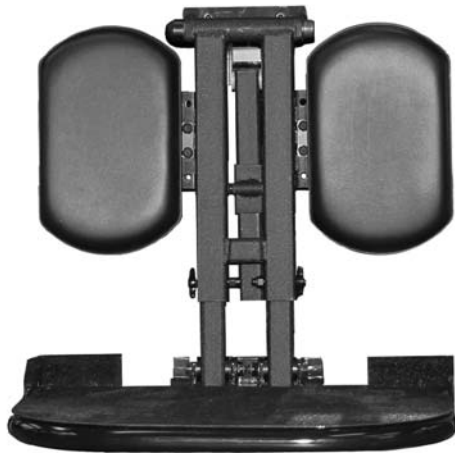
Standard ELR's

HD ELR's
Leg Adjustment 14" - 20"
Height Adjustable for
different seat thicknesses

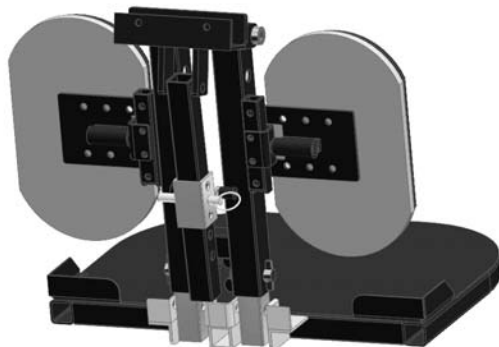


Heavy Duty Power ELR's

HD Center Column Footplate

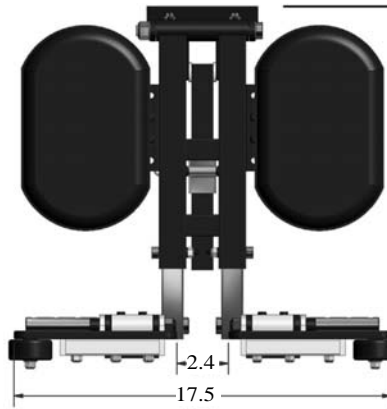


Foot Plate Height Adj.
Calf Pads Width Adj.
Custom Sizes Available

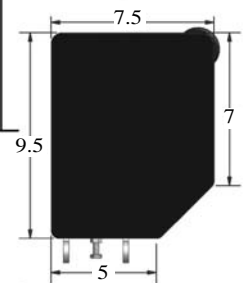


HD Center Column Individual Footplate

All Dimensions Shown Are In Inches
All Dimensions Are Based On Standard Parts



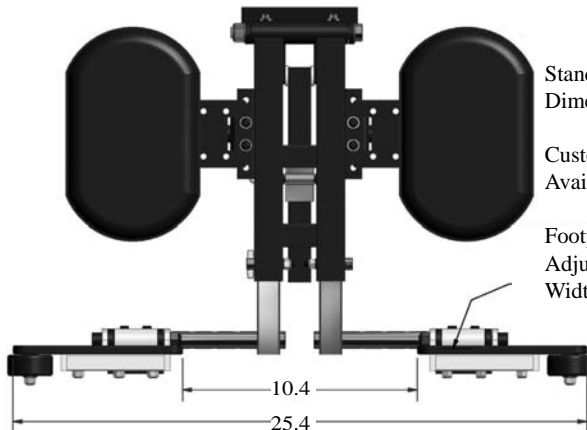
Length Adjustment 12.5"-18.5"
Custom Lengths Available



Standard Footplate
Dimensions Shown

Custom Footplates
Available

Footplates Are
Adjustable In
Width & Angle





Non-Powered



**Non-Powered & Powered
Elevating Calf Pad**



Powered

Custom Sizes Available

Powered Stanza™

- Increase Egress/Degress Stability
- Reduce Tipping Hazard on Inclines
- Inside / Outside of Footrest Placement



Center Mounted Stanza™

**Custom Size
Arboron
Footplates**



Height Adjustable FootRest



**Hip / Thigh Supports
Shown with Std. ELR's**



Pannus Supports



Amputee Supports

**Removable
Custom Sizes**



Admiral GPS™



Admiral Full Back



Com-For-Back™



Headrests Available

Cane Seating



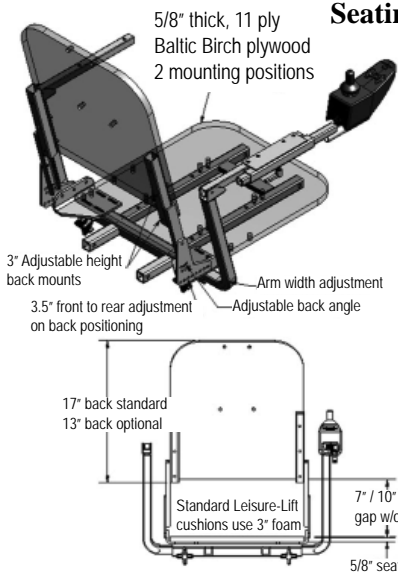
Solid Seating



Gluteal Shelf™



Maxum™ - Fully Adjustable Seating System by Leisure-Lift



This seating system is used to install the "BOSS Type" seating on all other Leisure-Lift power chairs and POV's

Custom Sizes Available

MINIMIZER™ SEATING Narrow Back Components

Minimizer™ backs are available with Maxum™ seating or standard fold down hinges.

